

**DALLAS FORT WORTH
INTERNATIONAL AIRPORT**

ADDENDUM NO. 01

RENTAL CAR CENTER SERVICE SITE HAIL CANOPIES

CONTRACT NO. 9500711

October 30, 2020

The Request for Bids for the above is hereby revised as follows:

Technical Specifications Revisions

1. Specification Division 13 - Special Construction, has been removed.

Plan Sheet Revisions

1. COVER SHEET, INDEX OF DRAWINGS, GEN. REQMTS. NOTES, MAPS:
 - a. Added note number 27 to the GENERAL REQUIREMENTS NOTES.
2. AS-401 TYP. 4 COLUMN CANOPY PLAN & ELEVATIONS:
 - a. Added note number 3 to the GENERAL NOTES.
3. AS-402 TYP. 2 COLUMN CANTILEVERED CANOPY PLANS & ELEVATIONS
 - a. Added Note number 3 to the GENERAL NOTES.

Schedule Revisions

1. N/A

RFB Revisions

1. N/A

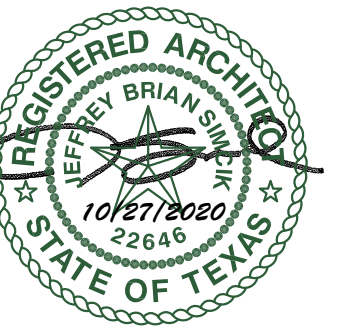
Solicitation Questions (Q) and Answers (A)

1. (Q) I wanted to check on a submittal requirement for the DFW shade canopy project. Provide proof of at least two (2) installed projects at DFW International Airport in the last 10 years.

(A) This is no longer a requirement for this project.

2. (Q) I have had a look at the Bid document and there is a specific design for the Hail Canopy included. Would our design be considered or is the design in the Bid document what you want built?

(A) The IFB Plans, included in this solicitation, reflects what DFW is requesting to be built, no other designs will be considered.



**DALLAS/
 FORT WORTH
 INTERNATIONAL
 AIRPORT**

3200 E. AIRFIELD DR.
 DFW AIRPORT, TX
 75261

**RENTAL CAR
 CENTER
 SERVICE SITE
 HAIL
 CANOPIES**

2424 E 38TH ST
 IRVING, TX
 75062

DFW
 CONTRACT NO: 9500711
 PERMIT NO: A19-437B

revision no: issue date:
 ADDENDUM NO. 1 10/27/2020

issue date:
 08/20/2020

vai project no:
 16002.018

drawn by: checked by:
 TBH JBS

issue title:
 ISSUED FOR BID

**TYP. 2 COLUMN
 CANTILEVERED
 CANOPY PLAN
 & ELEVATIONS**

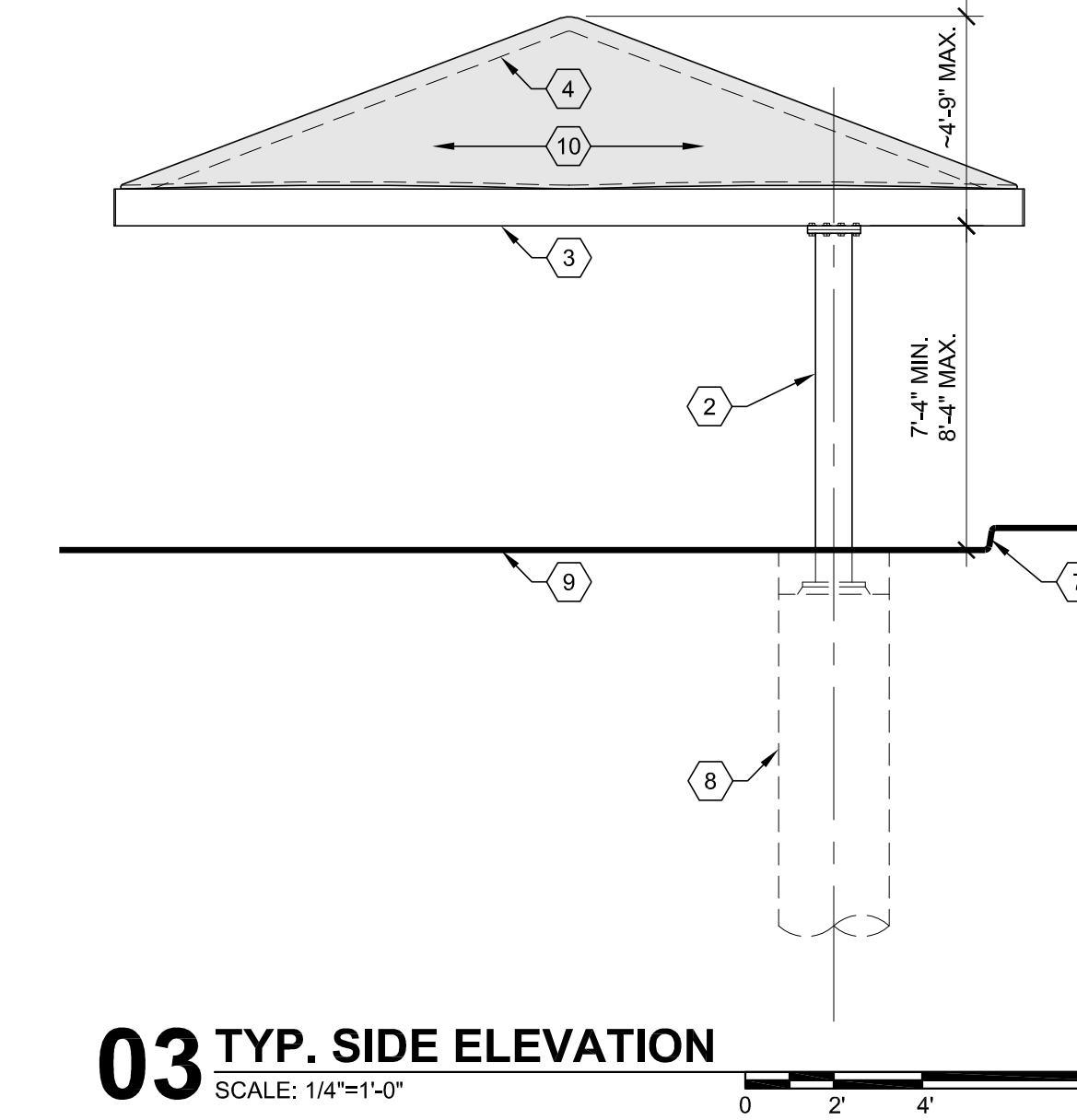
AS-402

GENERAL NOTES

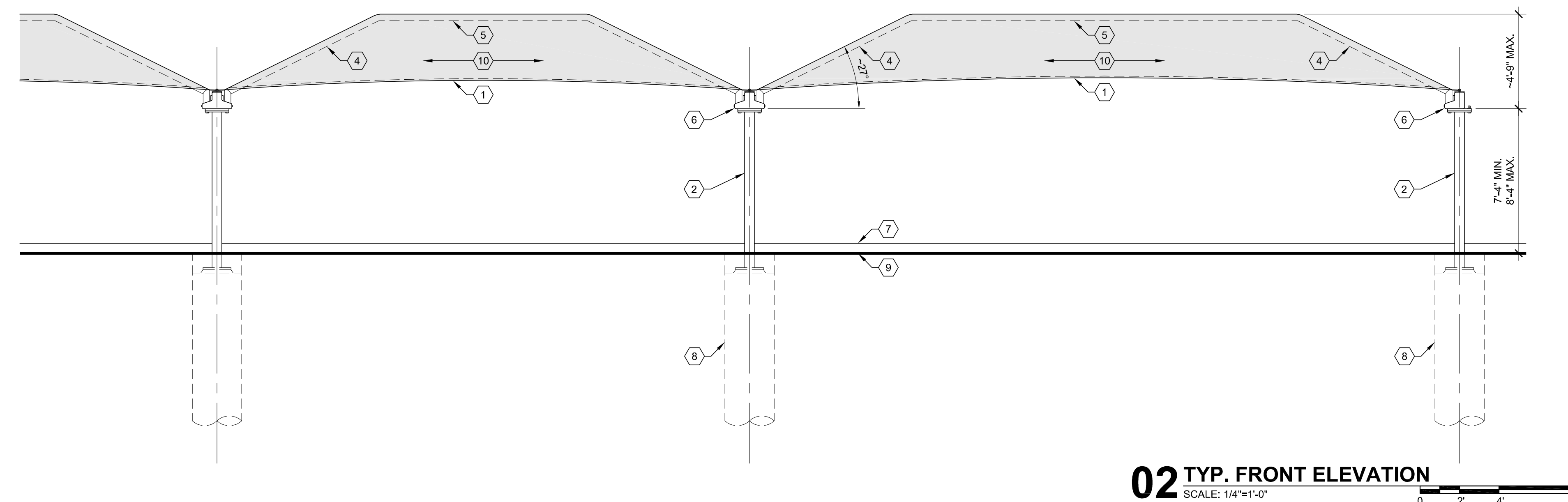
- ALL CANOPY STRUCTURAL STEEL MEMBERS AND FITTINGS SHALL BE EXPOSED GALVANIZED FINISH AS SPEC.
- HEIGHT FOR CANOPIES SHALL BE SET AT MAX. HEIGHT AND WORK DOWN FROM THERE AS REQUIRED FOR SITE GRADES.
- CONTRACTOR TO REFER TO SPECIFICATION SECTION 13 31 33 PRE-ENGINEERED HAIL PROTECTION/SHADE STRUCTURES AND APPENDIX A FOR GEOTECHNICAL REPORT DATED MARCH 3, 2020 INCLUDING ADDENDUM LETTER DATED APRIL 29, 2020 FOR DATA INFORMATION TO BE UTILIZED IN DEVELOPING THE FOUNDATION DESIGN OF CANOPY STRUCTURES. AT THE CONTRACTORS OPTION, THEY MAY UTILIZE EITHER DRILLED PIER FOOTINGS, SPREAD FOOTINGS, OR A COMBINATION OF THE TWO TYPES OF FOOTINGS AS APPROPRIATE FOR THE SYSTEMS AND CONDITIONS. CONTRACTOR IS RESPONSIBLE FOR ANY/COSTS ASSOCIATED WITH THEIR CHOICE OF FOUNDATION SYSTEM UTILIZED INCLUDING ANY MODIFICATIONS RELATED TO THE DESIGN, RE-ROUTE/EXTENSION OF UTILITIES, RE-GRADING, PAVEMENT REPAIR OF EXCAVATED AREAS, ETC.

2 COLUMN CANOPY TYPES

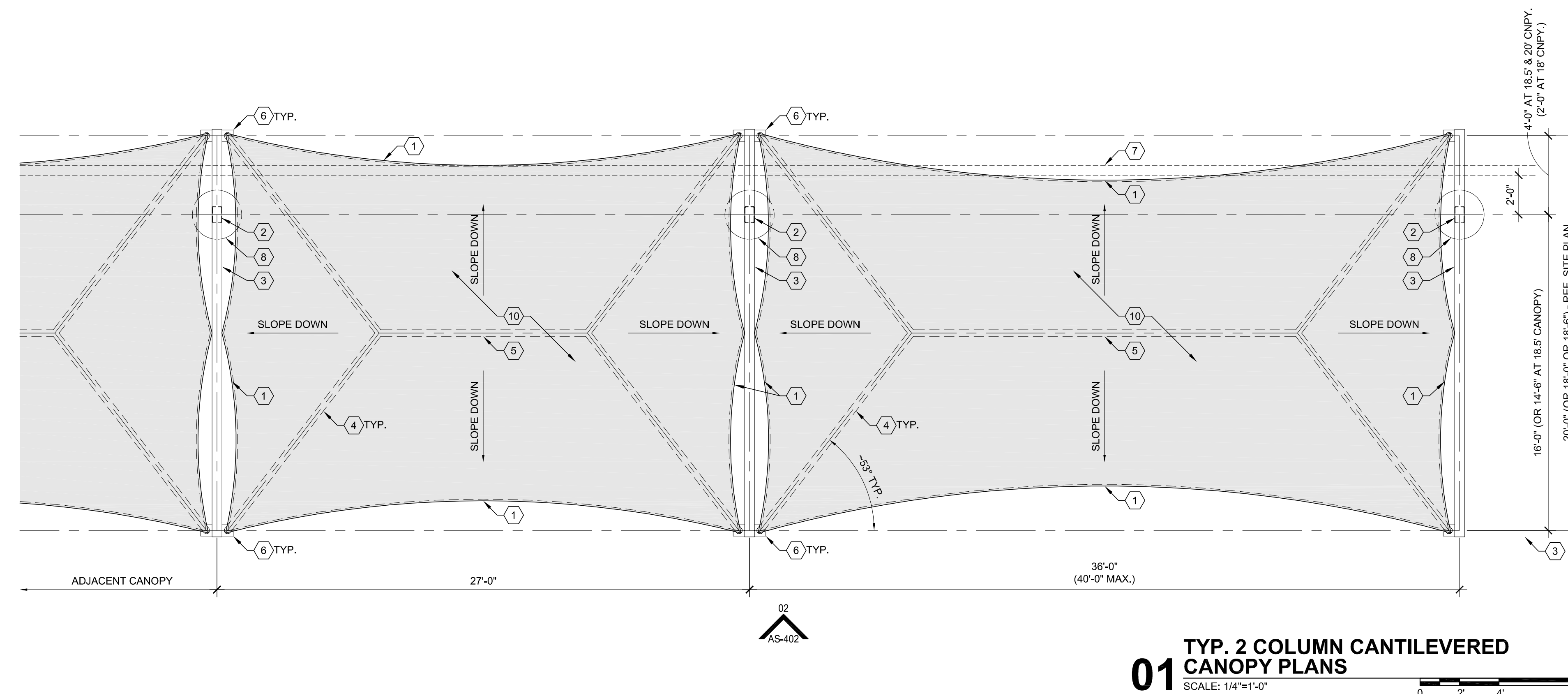
- (1827C) 18' W. X 27' L. HAIL CANOPY- 2 COLUMN CANTILEVER- 2'-0" COLUMN OFFSET
- (18527C) 18.5' W. X 27' L. HAIL CANOPY- 2 COLUMN CANTILEVER- 4'-0" COLUMN OFFSET
- (18536C) 18.5' W. X 36' L. HAIL CANOPY- 2 COLUMN CANTILEVER- 4'-0" COLUMN OFFSET
- (2027C) 20' W. X 27' L. HAIL CANOPY- 2 COLUMN CANTILEVER- 4'-0" COLUMN OFFSET
- (2036C) 20' W. X 36' L. HAIL CANOPY- 2 COLUMN CANTILEVER- 4'-0" COLUMN OFFSET



03 TYP. SIDE ELEVATION
 SCALE: 1/4"=1'-0"



02 TYP. FRONT ELEVATION
 SCALE: 1/4"=1'-0"



01 TYP. 2 COLUMN CANTILEVERED CANOPY PLANS
 SCALE: 1/4"=1'-0"